

81031718

Guidance notes for drilling missing holes on VW T5/T6

Please note, on some VW T5/T6 panel vans manufactured in Poland (chassis build code X) the holes for the rear upper side lining panels maybe missing, two of these are used to fit the top rear fixing brackets of the modulo van racking.



Step 1

Fit the rear frame and brackets as per the main installation instructions then mark the two missing holes through the bracket holes using a marker pen or centre punch.



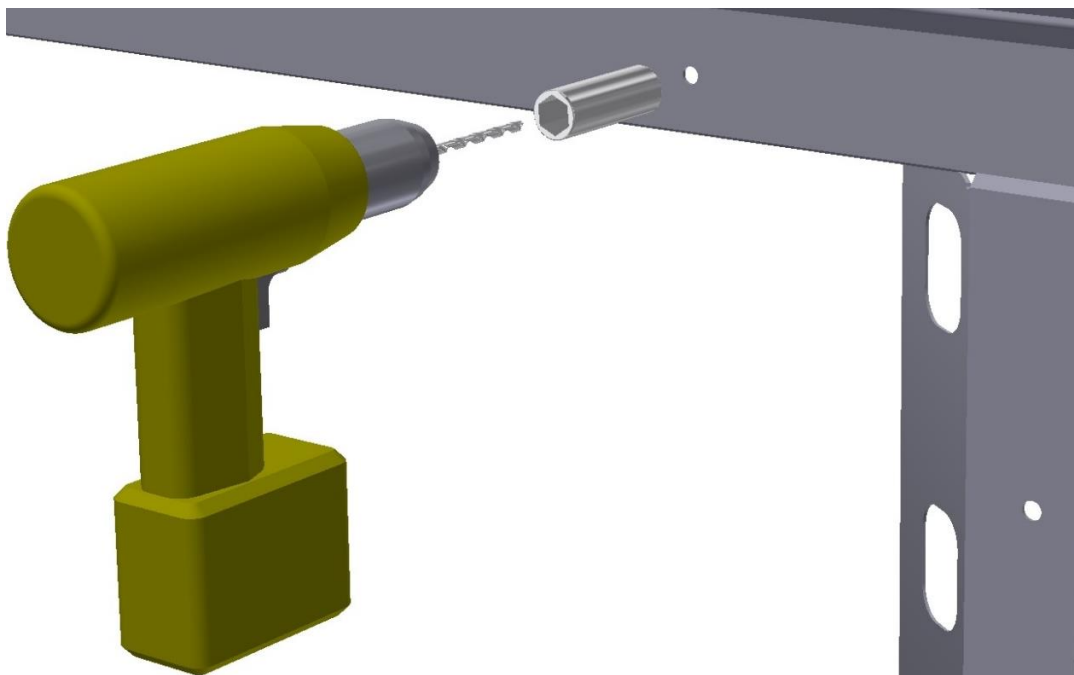
Step 2

Remove the frame assembly.

Step 3

Taking care not to damage the outer panel of the van, drill the holes starting with a small diameter drill bit, then finally a 9mm drill bit.

Important; use a suitably sized sleeve or deep socket over the drill bit to limit the drilling depth preventing damage to the outer panel of the van.



Step 4

Clean up any swarf and if necessary apply touch up/anti corrosion paint to any bare metal.

Step 5

Refit the frame assembly and continue following the main installation instructions.